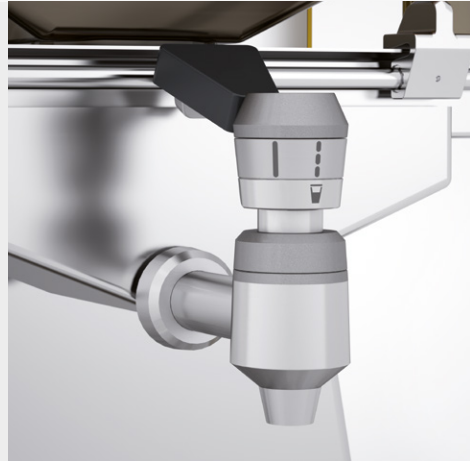


zumex®

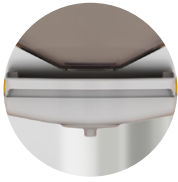
# Speed Pro

The fastest and most robust



The best-prepared series to provide **an efficient, safe and impeccable service**, designed to satisfy large juice demands.

The **tabletop models** adapt perfectly to tables or counters of self-service areas in hotels or cafeterias, offering an easy and fast juice service.

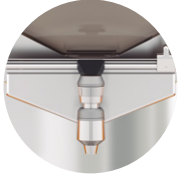


Speed Pro Basic

## Speed Pro Basic

- Model indicated for restaurants with a high juice demand due to its **capacity and easy cleaning**. Ideal for your convenience.
- It allows you to program the desired number of fruits to be squeezed.
- It includes an orange counter.

<b>Dimensions</b>	59.3 x 57.4 x 98.9 cm 23.3" x 22.6" x 38.9"	<b>Net weight</b>	64.7 Kg 142.4 lb
-------------------	--	-------------------	---------------------



Speed Pro Self Service

## Speed Pro Self Service

- It is characterised by its **autonomy and adaptability** to restaurants, self-services and hotel buffets. It revolutionizes the self-service world.
- With its **self-service tap**, the squeezing system is activated automatically.

<b>Dimensions</b>	59.3 x 65.8 x 105 cm 23.3" x 25.9" x 41.3"	<b>Net weight</b>	72 Kg 159.4 lb
-------------------	---	-------------------	-------------------

### Type of consumption



With Original System and ASP anti-bacterial system.

### Technical Characteristics

<b>Fruits per minute</b>	40	<b>Consumption</b>	1.2 A   2.7 A
<b>Feeder capacity</b>	20 Kg   44 lb	<b>Voltage</b>	220-240 V   50-60 Hz 120 V   60 Hz
<b>Fruit size</b>	65 - 81 mm	<b>Power</b>	300 W   0.40 HP
<b>Litres per minute</b>	2.5 - 4.5 l / min	<b>Security</b>	Triple safety detector and motor seizure detection

### Accessories



Kit S Squeezing  
Kit (45 - 67 mm)



Kit L Squeezing  
Kit (75 - 95 mm)



Dynamic Cutting  
System DCS



Countertop  
Kit



Zumex Pack