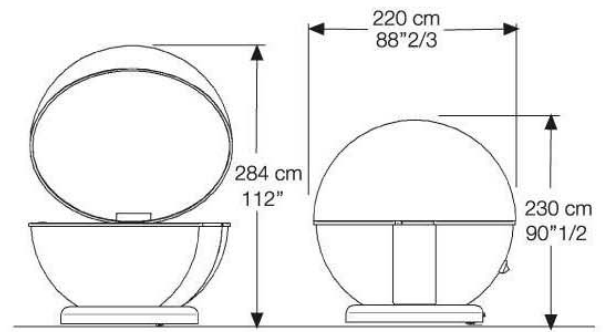


# Zumex Mobile

- **Completely automatic friendly point of sale.**
- **Attractive and functional design in the shape of an orange, manufactured in fibre glass.**
- **Fully fitted:**
  - Skin collection container for more than 30 kg.
  - Electrical connection, water inlet and drain.
  - Fitted cleaning area with extending tap.
  - Tank for clean water with a capacity of 25l.
  - Isothermal chamber.
  - Opening system for the top part by means of hydraulic bars with safety system.
- **Suitable for all our countertop models.**



**Perfect for** Promotions, open air sales.



## TECHNICAL CHARACTERISTICS ZUMEX MOBILE

MADE OF	COUNTER	WEIGHT	WEIGHT	CLEAN WATER RECIPIENT CAPACITY	RESIDUAL WATER RECIPIENT CAPACITY	TOTAL INSTALLATION MAX. POWER
Fibreglass reinforced polyester	16" 41 cm	824 lb 375 kg (Empty without machine)	826 lb 440 kg (Empty with machine)	7 gal 25 l	22 gal 85 l	3.3 kw