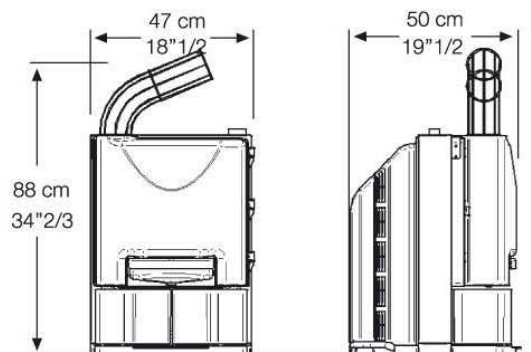


# Zumex Essential

## Zumex Essential Autostart

- **Ease of handling.**
- **Autostart version** available with automatic startup when it detects a fruit moving through the feeder **without the need to press any button (ideal for a self-service buffet and restaurant)**, equipped with orange counter.
- Available in **orange and silver finishes.**



**Demand for orange juice**      Low                  Medium                  High

**Perfect for**                  Traditional and commercial catering.  
Hotels buffets.

**Available accessories \***      Squeezing Kit D-65; Tap and tray kit;  
Countertop kit; Elevation kit.

\* see description on page 45



Zumex Essential Silver



Zumex Essential Autostart Silver



TECHNICAL CHARACTERISTICS ZUMEX ESSENTIAL / ZUMEX ESSENTIAL AUTOSTART									
FRUITS PER MINUTE	FEEDER CAPACITY	FRUIT DIAMETER	DIMENSIONS ZUMEX ESSENTIAL	DIMENSIONS ZUMEX ESSENTIAL AUT.	NET WEIGHT	CONSUMPTION	VOLTAGE	P. ANTIHUMIDITY	SECURITY
14 oranges/min	6/8 fruits	Up to 81 mm	34" x 18" x 19" 88 x 47 x 50 cm	29" x 18" x 19" 74 x 47 x 50 cm	99 lb 45 kg	0,3 kw	230-240 V 50-60 Hz/ 115 V 60 Hz	IP-X4	Double magnetic safety detector. Electronic motor protection