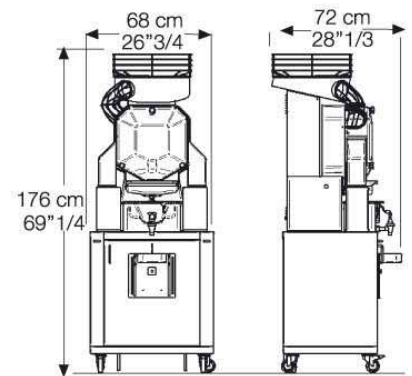


Zumex Speed Tank Podium

Zumex Speed D Tank Podium

- **Transparent 5-litre tank** for freshly-squeezed fruit juice.
- **Stainless steel podium with wheels** and a large-capacity waste bucket.
- Available in **standard start/stop and Digital (D)** versions with a counter of units processed and a programmer to squeeze the number of oranges that is decided at each moment.



Demand for orange juice	Low	Medium	High
Perfect for	Ideal for large hypermarkets and supermarkets with sales attendants.		
Available accessories *	Squeezing Kit D-65; Zumex Displays.		

* see description on page 45



Detail of Zumex Speed D Tank Podium



Equipped with 5 l. tank



TECHNICAL CHARACTERISTICS ZUMEX SPEED TANK PODIUM/ ZUMEX SPEED D TANK

FRUITS PER MINUTE	FEEDER CAPACITY	FRUIT DIAMETER	DIMENSIONS	NET WEIGHT	CONSUMPTION	VOLTAGE	P. ANTHUMIDITY	SECURITY
38 oranges/min	33 lb 15 kg	Up to 81 mm	69" x 26" x 28" 176 x 68 x 72 cm	223 lb 101 kg	0,3 kw	230-240 V 50-60 Hz / 115 V 60 Hz	IP-X4	Double magnetic safety detector. Electronic motor protection